

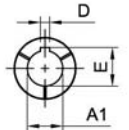
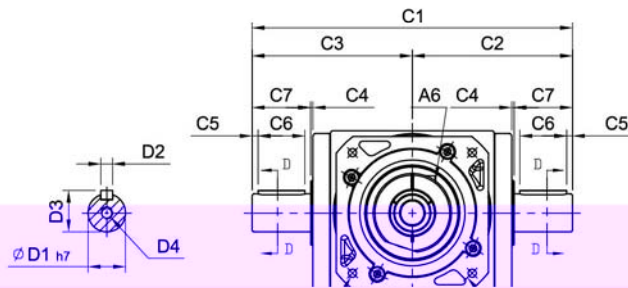
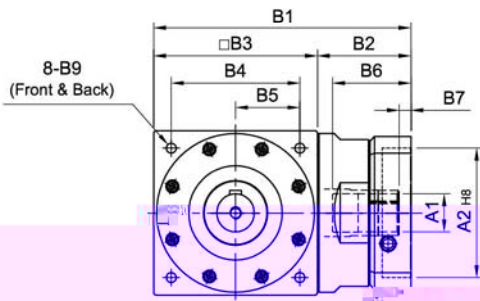
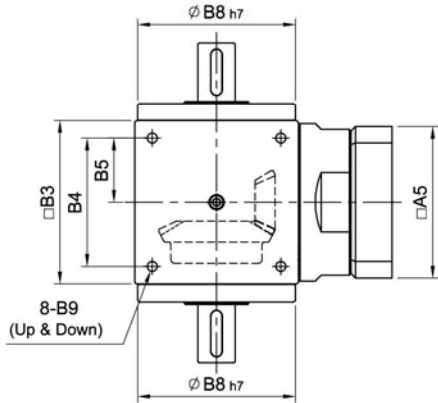
ST-FV series

RATIO : 1.2.3.4.5 (單段 1-Stage)



入力法蘭 - 雙出力軸心

Input Flange - Double Output Shaft



(入力孔 $\phi 42$ (含)以上)

A1	D	E
$\phi 42$	12	45.3
$\phi 48$	14	51.8
$\phi 55$	16	59.3

www.szliming.com

手机: 15062698279(同微信号)
QQ: 3368869981

unit: mm

Model	50	60	70	70	80	95	110	110	130	180	114.3	180	230
A2	50	60	70	70	80	95	110	110	130	180	114.3	180	230
A3	M4-M5-M6	M4-M5-M6	M4-M5-M6	M5-M6-M8	M5-M6-M8	M6-M8-M10	M8-M10-M120	M10-M12-M16					
A4	70-75-90	70-75-90	70-75-90	90-100-115-145	90-100-115-145	115-145-165	145-165-200	200-215-265					
A5	64-70-80	64-70-80	64-70-80	92-110-130	92-110-130	122-130-150	146-150-190	182-200-250					
A6	M5 x P0.8	M5 x P0.8	M5 x P0.8	M6 x P1.0	M6 x P1.0	M8 x P1.25	M10 x P1.5	M10 x P1.5					
B1	110	110	115	148-162	177-191	224	274	357-359					
B2	45	45	40	50-70-12	67-86-101	84	104	147-147					
B3	65	65	75	90	110	140	170	210					
B4	52	52	60	72	88	110	134	170					
B5	26	26	30	36	44	55	67	85					
B6	36	36	36	51-65.5	51-65.5	67	84.5	117					
B7	7	7	7	9-23.5	9-23.5	10	9.5	14-16					
B8	62	64	73	88	106	135	164	205					
B9	M5 x P0.8	M5 x P0.8	M6 x P1.0	M6 x P1.0	M8 x P1.25	M10 x P1.5	M12 x P1.75	M16 x P2.0					
C1	124	129	160	188	224	274	324	400					
C2	62	64.5	80	94	112	137	162	200					
C3	62	64.5	80	94	112	137	162	200					
C5	2.5	2.5	2.5	5	5	5	5	5					
C6	15	15	25	25	30	40	50	65					
C7	20	20	30	35	40	50	60	75					
D1	14	14	16	18	22	32	40	50					
D2	5	5	5	6	6	10	12	14					
D3	16	16	18	20.5	24.5	35	43	53.5					
A	M5 x P0.8	M5 x P0.8	M5 x P0.8	M8 x P1.25	M8 x P1.25	M10 x P1.5	M12 x P1.75	M12 x P1.75					
重量	1.7	1.7	2.4	4.3	7.1	14.9	24.5	46					